

AC Isolated Switch

交流隔离开关



特性:

JHAS69隔离开关广泛用于产业控制机械及各种电器，能有效解决紧急断开、安全断开和机器控制，电动机控制等问题。

- 采用特殊银合金触点，电气寿命长，可靠性高。
- 体积小，节省安装空间。
- 具有保护手指的构造，使操作安全。
- 具备多种安装方式，便于适用各种用途（面板安装型、导轨安装型、密封开关盒型）。
- IP66防护等级。

Features:

JHAS69 isolation switch is widely used in industrial control machinery and various electrical appliances, and can effectively solve the problems of emergency disconnection, safety disconnection, machine control, motor control and so on.

- With alloy contacts, electrical special silver long life and high reliability.
- Small size, space-saving installation.
- Construct a protective finger to make the operation safe.
- With a variety of installation, ease of application of various purpose(panel mount, rail mount, sealed switch box type).
- IP66 degree of protection

型号及含义 Type and meaning

JHAS69 - PM 20 R - 3 RY 64

橡胶垫: 64:有,空:无

手柄:
RY:红/黄旋转手柄
B:黑旋转手柄

极数: 3:3P, 4:4P

带锁方式:
R:旋转带锁 空:不带锁

额定电流(A):
20, 32, 40, 63, 80

安装形式:
PM, DC, LK, EL

隔离开关型号

Rubber Pad: 64:Yes Blank:No

Handle Options:
RY:Rotating red/yellow handle
B:Rotating black handle

Poles: 3:3P, 4:4P

Locking mode:
R:Rotating belt lock Blank:No lock

Rated Current(A):
20, 32, 40, 63, 80

Installation:
PM, DC, LK, EL

Type of AC Isolated Switch

AC Isolated Switch

交流隔离开关



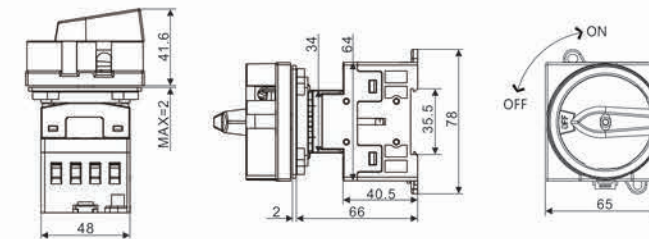
箱外操作导轨安装
Out of box operation
Guide rail installation



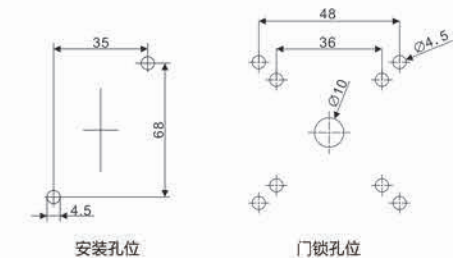
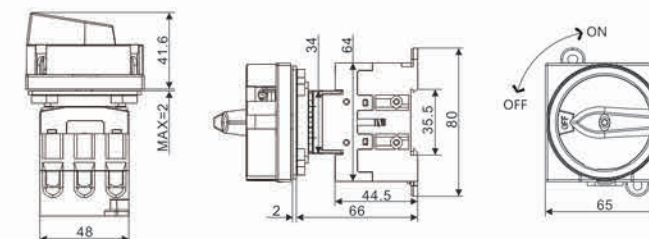
| 电流 Current | 20A | 32A | 40A | 63A | 80A |
|--|-----------------------|--------------------|--------------------|---------------------|--------------------|
| 型号 Type | JHAS69-PM20R-4RY64 | JHAS69-PM32R-4RY64 | JHAS69-PM40R-4RY64 | JHAS69-PM63R-3RY64 | JHAS69-PM80R-3RY64 |
| 额定通电流 Rated carry current | 20A | 32A | 40A | 63A | 80A |
| 额定工作电流 Rated operating current AC-23A | 16A | 25A | 32A | 45A | 45A |
| 额定工作电流 Rated operating current AC-3 | 12A | 23A | 30A | 37A | 37A |
| 额定控制功率P Rated power control AC-23A | 240V 440V | 4KW 7.5KW | 7.5KW 12.5KW | 9KW 16KW | 15KW 22KW |
| 额定控制功率P Rated power control AC-3 | 240V 440V | 3KW 5.5KW | 5.5KW 11KW | 7.5KW 15KW | 11KW 18.5KW |
| UL-CSA 基准马达负载(HP) Motor load | 240V 440V | 3KW 7.5KW | 5KW 10KW | 5KW 10KW | 10KW 20KW |
| 短时耐受电流(Icw) Rated short-time withstand current | 250A | 400A | 500A | 600A | 850A |
| 可以连接电线(mm ²) Connect wires | 0.5-10MM ² | | | 1-16MM ² | |
| 装配螺丝扭矩(N·m) Screw torque | 0.8-1.7N·m | | | 1.5-2N·m | |
| 额定绝缘电压 Rated insulation voltage | 690V | | | | |

参考尺寸 Reference Dimension

4Poles 20-40A



3Poles 63-80A



图中含3种安装方式:
A: 4孔,中心距48(无垫片)
B: 4孔,中心距36(4孔垫片)

AC Isolated Switch

交流隔离开关

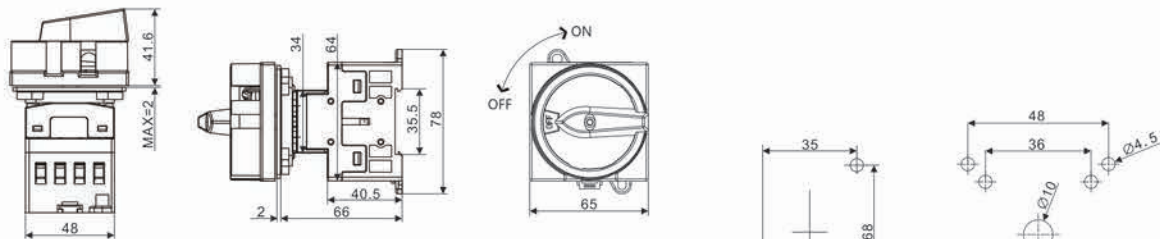


箱外操作导轨安装
Out of box operation
Guide rail installation

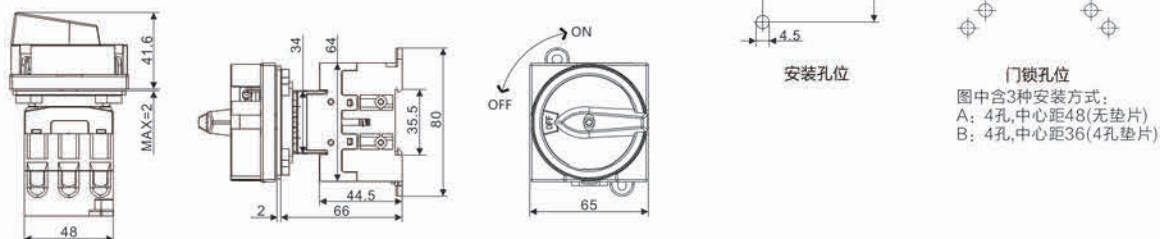
| 电流 Current | 20A | 32A | 40A | 63A | 80A | |
|--|-----------------------|-------------------|-------------------|---------------------|-------------------|--------|
| 型号 Type | JHAS69-PM20R-4B64 | JHAS69-PM32R-4B64 | JHAS69-PM40R-4B64 | JHAS69-PM63R-3B64 | JHAS69-PM80R-3B64 | |
| 额定通电流 Rated carry current | 20A | 32A | 40A | 63A | 80A | |
| 额定工作电流 Rated operating current AC-23A | 16A | 25A | 32A | 45A | 45A | |
| 额定工作电流 Rated operating current AC-3 | 12A | 23A | 30A | 37A | 37A | |
| 额定控制功率P Rated power control AC-23A | 240V | 4KW | 7.5KW | 9KW | 15KW | 15KW |
| | 440V | 7.5KW | 12.5KW | 16KW | 22KW | 22KW |
| 额定控制功率P Rated power control AC-3 | 240V | 3KW | 5.5KW | 7.5KW | 11KW | 11KW |
| | 440V | 5.5KW | 11KW | 15KW | 18.5KW | 18.5KW |
| UL-CSA 基准马达负载(HP) Motor load | 240V | 3KW | 5KW | 5KW | 10KW | 10KW |
| | 440V | 7.5KW | 10KW | 10KW | 20KW | 20KW |
| 短时耐受电流(Icw) Rated short-time withstand current | 250A | 400A | 500A | 600A | 850A | |
| 可以连接电线(mm ²) Connect wires | 0.5-10MM ² | | | 1-16MM ² | | |
| 装配螺丝扭矩(N·m) Screw torque | 0.8-1.7N·m | | | 1.5-2N·m | | |
| 额定绝缘电压 Rated insulation voltage | 690V | | | | | |

参考尺寸 Reference Dimension

4Poles 20-40A



3Poles 63-80A



安装孔位
门锁孔位
图中含3种安装方式:
A: 4孔,中心距48(无垫片)
B: 4孔,中心距36(4孔垫片)

AC Isolated Switch

交流隔离开关

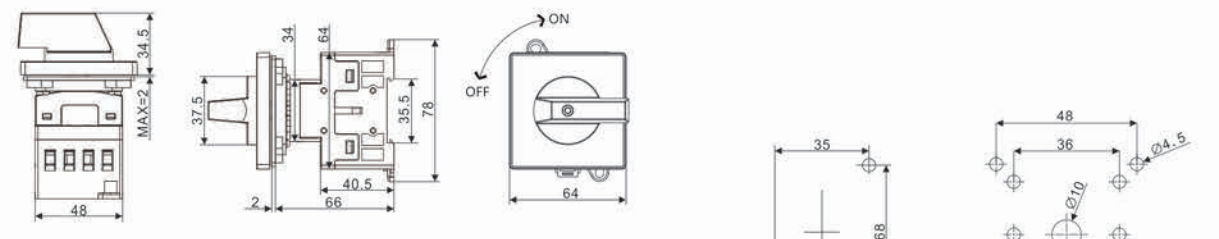


箱外操作导轨安装
Out of box operation
Guide rail installation

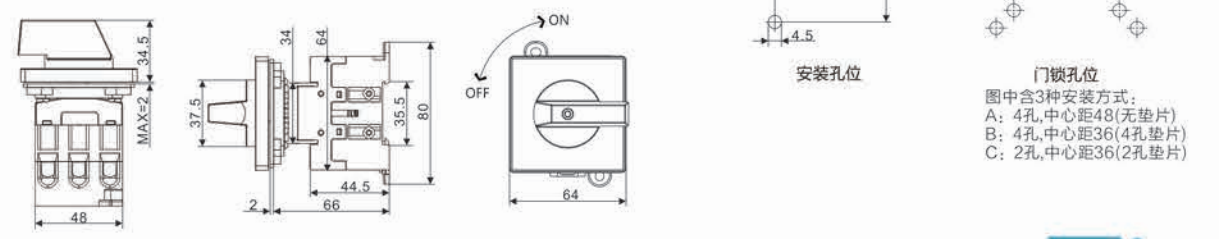
| 电流 Current | 20A | 32A | 40A | 63A | 80A | |
|--|-----------------------|---------------|---------------|---------------------|---------------|--------|
| 型号 Type | JHAS69-PM20-4 | JHAS69-PM32-4 | JHAS69-PM40-4 | JHAS69-PM63-3 | JHAS69-PM80-3 | |
| 额定通电流 Rated carry current | 20A | 32A | 40A | 63A | 80A | |
| 额定工作电流 Rated operating current AC-23A | 16A | 25A | 32A | 45A | 45A | |
| 额定工作电流 Rated operating current AC-3 | 12A | 23A | 30A | 37A | 37A | |
| 额定控制功率P Rated power control AC-23A | 240V | 4KW | 7.5KW | 9KW | 15KW | 15KW |
| | 440V | 7.5KW | 12.5KW | 16KW | 22KW | 22KW |
| 额定控制功率P Rated power control AC-3 | 240V | 3KW | 5.5KW | 7.5KW | 11KW | 11KW |
| | 440V | 5.5KW | 11KW | 15KW | 18.5KW | 18.5KW |
| UL-CSA 基准马达负载(HP) Motor load | 240V | 3KW | 5KW | 5KW | 10KW | 10KW |
| | 440V | 7.5KW | 10KW | 10KW | 20KW | 20KW |
| 短时耐受电流(Icw) Rated short-time withstand current | 250A | 400A | 500A | 600A | 850A | |
| 可以连接电线(mm ²) Connect wires | 0.5-10MM ² | | | 1-16MM ² | | |
| 装配螺丝扭矩(N·m) Screw torque | 0.8-1.7N·m | | | 1.5-2N·m | | |
| 额定绝缘电压 Rated insulation voltage | 690V | | | | | |

参考尺寸 Reference Dimension

4Poles 20-40A



3Poles 63-80A



安装孔位
门锁孔位
图中含3种安装方式:
A: 4孔,中心距48(无垫片)
B: 4孔,中心距36(4孔垫片)
C: 2孔,中心距36(2孔垫片)



AC Isolated Switch

交流隔离开关

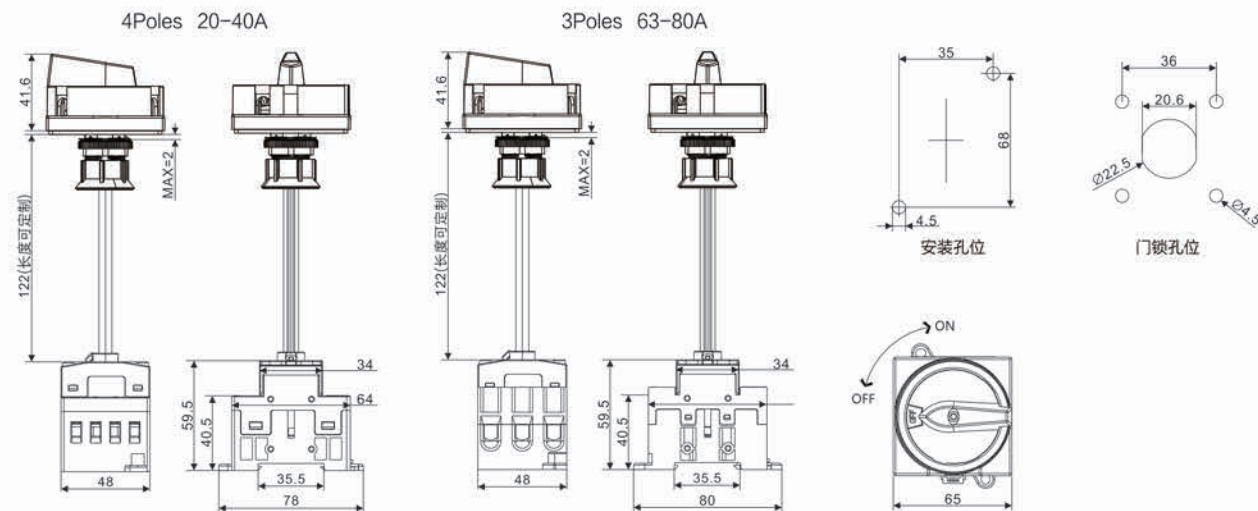


箱外操作导轨安装
Out of box operation
Guide rail installation



| 电流 Current | 20A | 32A | 40A | 63A | 80A |
|--|-----------------------|--------------------|--------------------|---------------------|--------------------|
| 型号 Type | JHAS69-DC20R-4RY64 | JHAS69-DC32R-4RY64 | JHAS69-DC40R-4RY64 | JHAS69-DC63R-3RY64 | JHAS69-DC80R-3RY64 |
| 额定通电流 Rated carry current | 20A | 32A | 40A | 63A | 80A |
| 额定工作电流 Rated operating current AC-23A | 16A | 25A | 32A | 45A | 45A |
| 额定工作电流 Rated operating current AC-3 | 12A | 23A | 30A | 37A | 37A |
| 额定控制功率P Rated power control AC-23A | 240V 440V | 4KW 12.5KW | 7.5KW 16KW | 9KW 22KW | 15KW 22KW |
| 额定控制功率P Rated power control AC-3 | 240V 440V | 3KW 5.5KW | 5.5KW 11KW | 7.5KW 18.5KW | 11KW 18.5KW |
| UL-CSA 基准马达负载(HP) Motor load | 240V 440V | 3KW 7.5KW | 5KW 10KW | 5KW 10KW | 10KW 20KW |
| 短时耐受电流(Icw) Rated short-time withstand current | 250A | 400A | 500A | 600A | 850A |
| 可以连接电线(mm ²) Connect wires | 0.5-10MM ² | | | 1-16MM ² | |
| 装配螺丝扭矩(N·m) Screw torque | 0.8-1.7N·m | | | 1.5-2N·m | |
| 额定绝缘电压 Rated insulation voltage | 690V | | | | |

参考尺寸 Reference Dimension

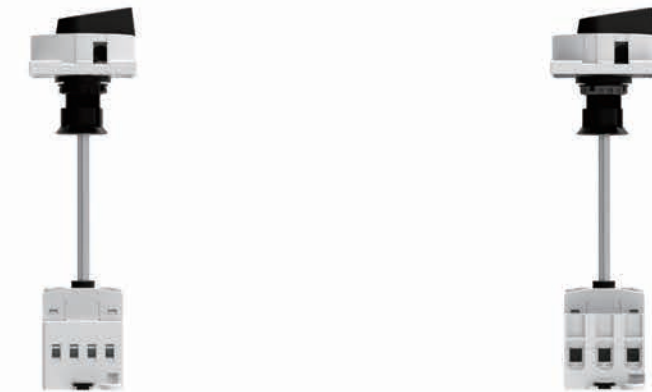


AC Isolated Switch

交流隔离开关

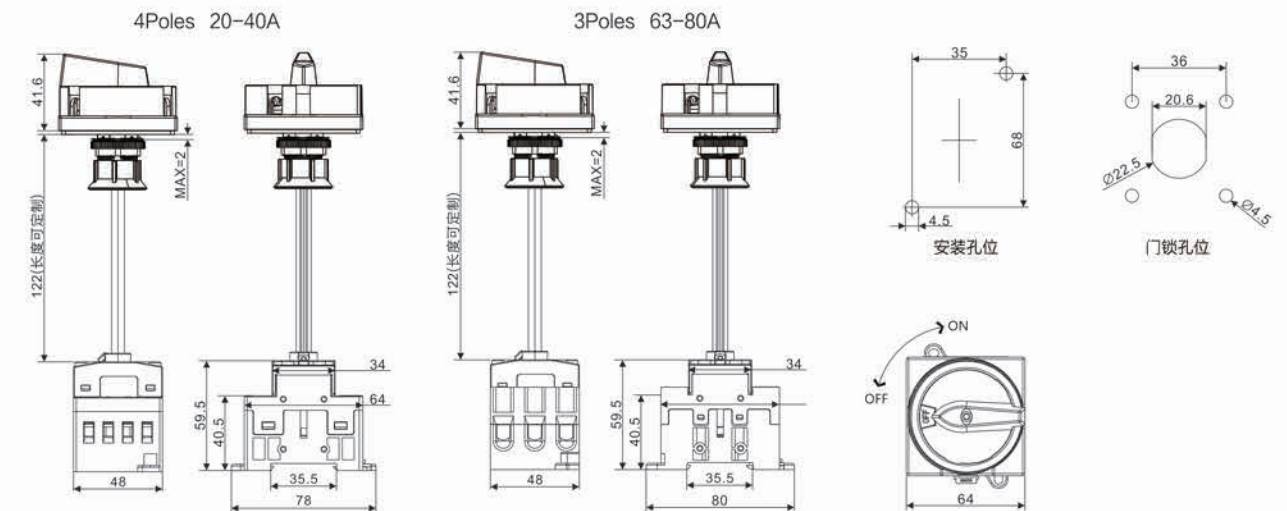


箱外操作导轨安装
Out of box operation
Guide rail installation



| 电流 Current | 20A | 32A | 40A | 63A | 80A |
|--|-----------------------|-------------------|-------------------|---------------------|-------------------|
| 型号 Type | JHAS69-DC20R-4B64 | JHAS69-DC32R-4B64 | JHAS69-DC40R-4B64 | JHAS69-DC63R-3B64 | JHAS69-DC80R-3B64 |
| 额定通电流 Rated carry current | 20A | 32A | 40A | 63A | 80A |
| 额定工作电流 Rated operating current AC-23A | 16A | 25A | 32A | 45A | 45A |
| 额定工作电流 Rated operating current AC-3 | 12A | 23A | 30A | 37A | 37A |
| 额定控制功率P Rated power control AC-23A | 240V 440V | 4KW 12.5KW | 7.5KW 16KW | 9KW 22KW | 15KW 22KW |
| 额定控制功率P Rated power control AC-3 | 240V 440V | 3KW 5.5KW | 5.5KW 11KW | 7.5KW 18.5KW | 11KW 18.5KW |
| UL-CSA 基准马达负载(HP) Motor load | 240V 440V | 3KW 7.5KW | 5KW 10KW | 5KW 10KW | 10KW 20KW |
| 短时耐受电流(Icw) Rated short-time withstand current | 250A | 400A | 500A | 600A | 850A |
| 可以连接电线(mm ²) Connect wires | 0.5-10MM ² | | | 1-16MM ² | |
| 装配螺丝扭矩(N·m) Screw torque | 0.8-1.7N·m | | | 1.5-2N·m | |
| 额定绝缘电压 Rated insulation voltage | 690V | | | | |

参考尺寸 Reference Dimension



AC Isolated Switch

交流隔离开关

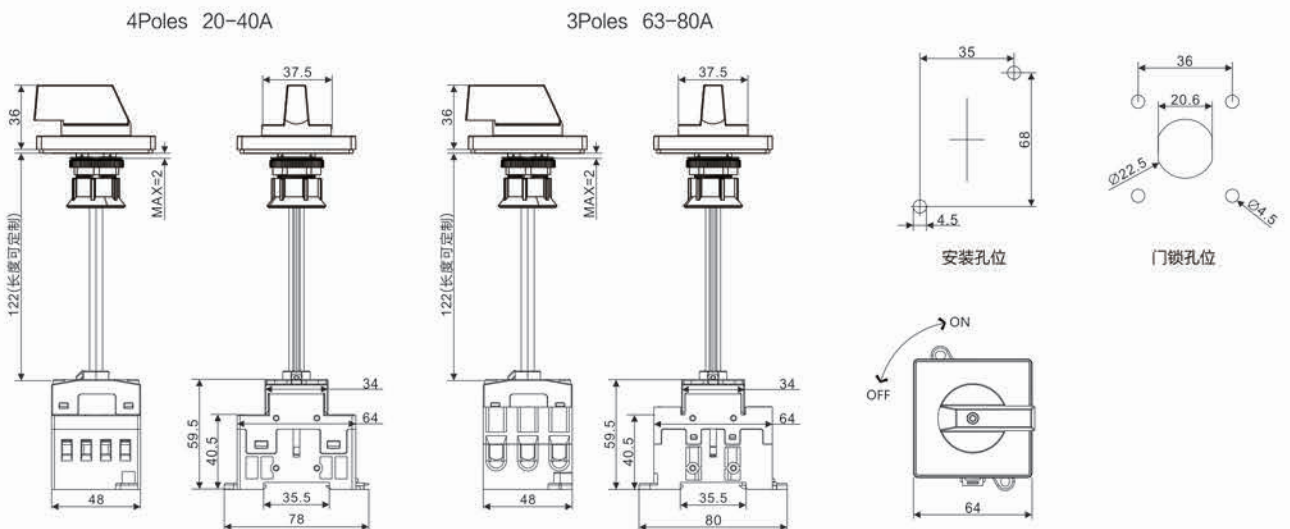


箱外操作导轨安装
Out of box operation
Guide rail installation



| 电流 Current | 20A | 32A | 40A | 63A | 80A |
|--|-----------------------|---------------|---------------|---------------------|---------------|
| 型号 Type | JHAS69-DC20-4 | JHAS69-DC32-4 | JHAS69-DC40-4 | JHAS69-DC63-3 | JHAS69-DC80-3 |
| 额定通电流 Rated carry current | 20A | 32A | 40A | 63A | 80A |
| 额定工作电流 Rated operating current AC-23A | 16A | 25A | 32A | 45A | 45A |
| 额定工作电流 Rated operating current AC-3 | 12A | 23A | 30A | 37A | 37A |
| 额定控制功率P Rated power control AC-23A | 240V | 4KW | 7.5KW | 9KW | 15KW |
| | 440V | 7.5KW | 12.5KW | 16KW | 22KW |
| 额定控制功率P Rated power control AC-3 | 240V | 3KW | 5.5KW | 7.5KW | 11KW |
| | 440V | 5.5KW | 11KW | 15KW | 18.5KW |
| UL-CSA 基准马达负载(HP) Motor load | 240V | 3KW | 5KW | 5KW | 10KW |
| | 440V | 7.5KW | 10KW | 10KW | 20KW |
| 短时耐受电流(Icw) Rated short-time withstand current | 250A | 400A | 500A | 600A | 850A |
| 可以连接电线(mm ²) Connect wires | 0.5-10MM ² | | | 1-16MM ² | |
| 装配螺丝扭矩 (N·m) Screw torque | 0.8-1.7N·m | | | 1.5-2N·m | |
| 额定绝缘电压 Rated insulation voltage | 690V | | | | |

参考尺寸 Reference Dimension



AC Isolated Switch

交流隔离开关

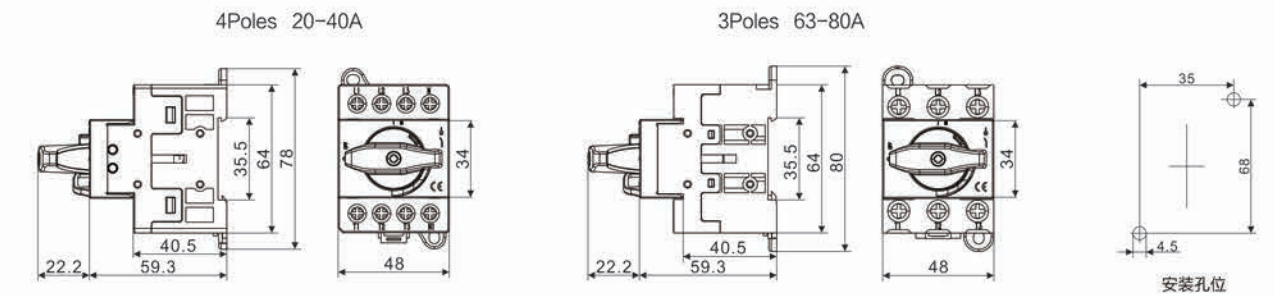


箱内操作导轨安装
Inside the box operation
Guide rail installation



| 电流 Current | 20A | 32A | 40A | 63A | 80A |
|--|-----------------------|-----------------|-----------------|---------------------|-----------------|
| 型号 Type | JHAS69-LK20-4RY | JHAS69-LK32-4RY | JHAS69-LK40-4RY | JHAS69-LK63-3RY | JHAS69-LK80-3RY |
| 额定通电流 Rated carry current | 20A | 32A | 40A | 63A | 80A |
| 额定工作电流 Rated operating current AC-23A | 16A | 25A | 32A | 45A | 45A |
| 额定工作电流 Rated operating current AC-3 | 12A | 23A | 30A | 37A | 37A |
| 额定控制功率P Rated power control AC-23A | 240V | 4KW | 7.5KW | 9KW | 15KW |
| | 440V | 7.5KW | 12.5KW | 16KW | 22KW |
| 额定控制功率P Rated power control AC-3 | 240V | 3KW | 5.5KW | 7.5KW | 11KW |
| | 440V | 5.5KW | 11KW | 15KW | 18.5KW |
| UL-CSA 基准马达负载(HP) Motor load | 240V | 3KW | 5KW | 5KW | 10KW |
| | 440V | 7.5KW | 10KW | 10KW | 20KW |
| 短时耐受电流(Icw) Rated short-time withstand current | 250A | 400A | 500A | 600A | 850A |
| 可以连接电线(mm ²) Connect wires | 0.5-10MM ² | | | 1-16MM ² | |
| 装配螺丝扭矩 (N·m) Screw torque | 0.8-1.7N·m | | | 1.5-2N·m | |
| 额定绝缘电压 Rated insulation voltage | 690V | | | | |

参考尺寸 Reference Dimension



AC Isolated Switch

交流隔离开关



箱外操作导轨安装
Out of box operation
Guide rail installation

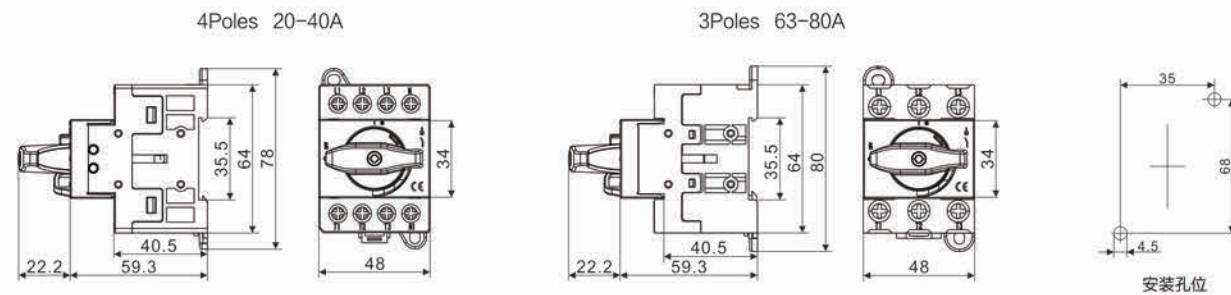


防水盒安装
Waterproof box installation



| 电流 Current | 20A | 32A | 40A | 63A | 80A |
|--|---------------|-----------------------|-----------------|---------------------|----------------|
| 型号 Type | JHAS69-LK20-4 | JHAS69-LK32-4 | JHAS69-LK40-4 | JHAS69-LK63-3 | JHAS69-LK80-3 |
| 额定通电流 Rated carry current | 20A | 32A | 40A | 63A | 80A |
| 额定工作电流 Rated operating current AC-23A | 16A | 25A | 32A | 45A | 45A |
| 额定工作电流 Rated operating current AC-3 | 12A | 23A | 30A | 37A | 37A |
| 额定控制功率P Rated power control AC-23A | 240V 440V | 4KW 7.5KW | 7.5KW 12.5KW | 9KW 16KW | 15KW 22KW |
| 额定控制功率P Rated power control AC-3 | 240V 440V | 3KW 5.5KW | 5.5KW 11KW | 7.5KW 15KW | 11KW 18.5KW |
| UL-CSA 基准马达负载(HP) Motor load | 240V 440V | 3KW 7.5KW | 5KW 10KW | 5KW 10KW | 10KW 20KW |
| 短时耐受电流(Icw) Rated short-time withstand current | | 250A | 400A | 500A | 600A |
| 可以连接电线(mm ²) Connect wires | | 0.5-10MM ² | | 1-16MM ² | |
| 装配螺丝扭矩 (N·m) Screw torque | | 0.8-1.7N·m | | 1.5-2N·m | |
| 额定绝缘电压 Rated insulation voltage | | 690V | | | |

参考尺寸 Reference Dimension



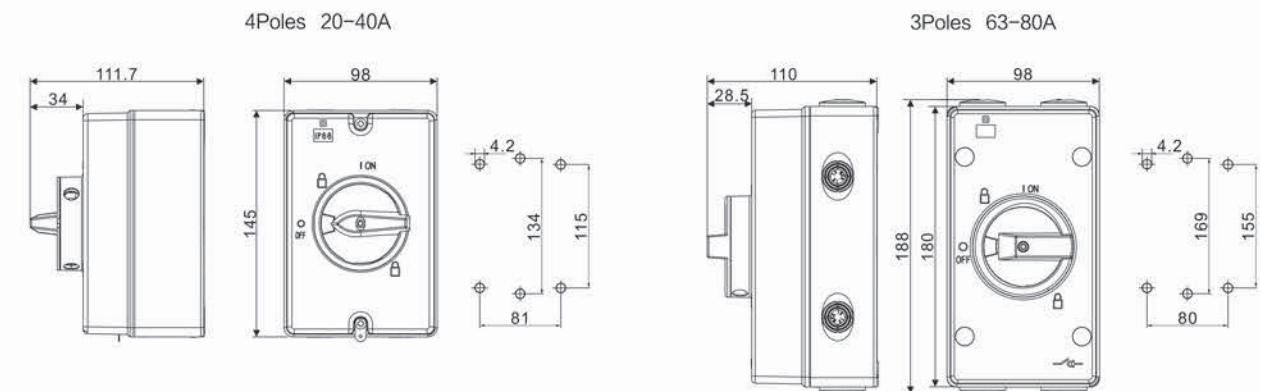
AC Isolated Switch

交流隔离开关



| 电流 Current | 20A | 32A | 40A | 63A | 80A |
|--|----------------|-----------------------|-----------------|---------------------|----------------|
| 型号 Type | JHAS69-EL20R-4 | JHAS69-EL32R-4 | JHAS69-EL40R-4 | JHAS69-EL63R-3 | JHAS69-EL80R-3 |
| 额定通电流 Rated carry current | 20A | 32A | 40A | 63A | 80A |
| 额定工作电流 Rated operating current AC-23A | 16A | 25A | 32A | 45A | 45A |
| 额定工作电流 Rated operating current AC-3 | 12A | 23A | 30A | 37A | 37A |
| 额定控制功率P Rated power control AC-23A | 240V 440V | 4KW 7.5KW | 7.5KW 12.5KW | 9KW 16KW | 15KW 22KW |
| 额定控制功率P Rated power control AC-3 | 240V 440V | 3KW 5.5KW | 5.5KW 11KW | 7.5KW 15KW | 11KW 18.5KW |
| UL-CSA 基准马达负载(HP) Motor load | 240V 440V | 3KW 7.5KW | 5KW 10KW | 5KW 10KW | 10KW 20KW |
| 短时耐受电流(Icw) Rated short-time withstand current | | 250A | 400A | 500A | 600A |
| 可以连接电线(mm ²) Connect wires | | 0.5-10MM ² | | 1-16MM ² | |
| 装配螺丝扭矩 (N·m) Screw torque | | 0.8-1.7N·m | | 1.5-2N·m | |
| 额定绝缘电压 Rated insulation voltage | | 690V | | | |

参考尺寸 Reference Dimension



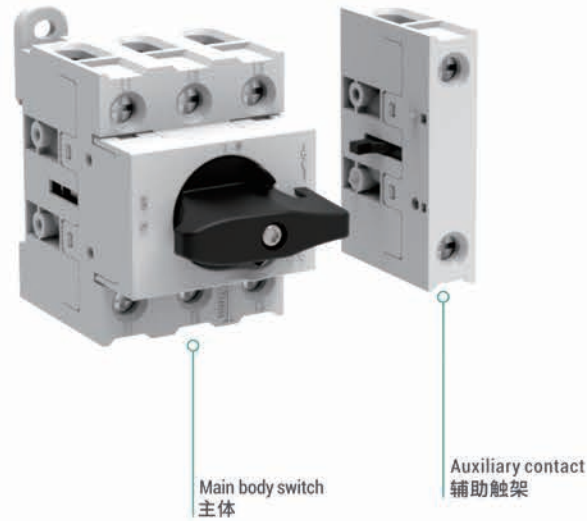
AC Isolated Switch

交流隔离开关



附件 Accessory

无需工具即可安装和拆下辅助触架，操作简单快速。
Mounting and removal of auxiliary contact are quick and simple without tools.



附加辅助触架

JHAS69系列交流隔离开关采用同一种辅助触架，辅助触架于开关主极同时动作。

Add-on Auxiliary Contacts:

One only add-on block suitable for all the JHAS69 AC Isolated Switch, having simultaneous operation with the switch poles.

| 外形 Appearance | 型号 Type | 额定工作电流 Rated operation current | 适用于 Applied to | 回路图 Circuit diagram |
|------------------|--------------|-----------------------------------|-------------------|------------------------|
| | JHAC69-ACC01 | 80A | JHAS69 | |
| | JHAC69-ACC02 | 80A | JHAS69 | |
| | JHAC69-ACC03 | - | JHAS69 | |

AC Isolated Switch

交流隔离开关



参考尺寸 Reference Dimension

